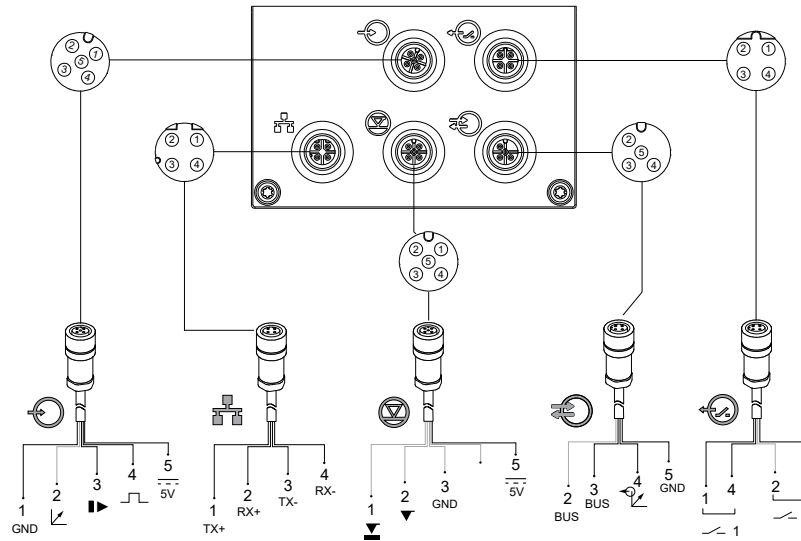


Wiring diagram, DDA-C



TM087929

Input: Analog, External stop, Pulse

Function	Pins				
	1/brown	2/white	3/blue	4/black	5/yellow/green
Analog	GND / (-) mA	(+) mA			
External stop	GND		X		
Pulse	GND			X	

Relay outputs

Function	Pins			
	1/brown	2/white	3/blue	4/black
Relay 1	X			X
Relay 2		X	X	

Ethernet

Function	Pins			
	1/green/white	2/orange/white	3/green	4/orange
TX+ / TX-	X		X	
RX+ / RX-		X		X

Level signals: Empty signal, Low-level signal

Function	Pins				
	1	2	3	4	5
Low-level signal	X		GND		
Empty signal		X	GND		

GENibus, Analog output Modbus RTU

Function	Pins			
	2/white	3/blue	4/black	5/yellow/green
GENibus / Modbus RTU	RS-485 A	RS-485 B		GENibus Y
Analog output			(+) mA	GND / (-) mA