



EICA Tool (Electrical Instrumentation, Control and Automation)

A search tool to find the right Fieldbus information, associated documentation and installation files for the MIXIT product.

Please select your product and choice of BUS protocol.

CHOOSE PRODUCT

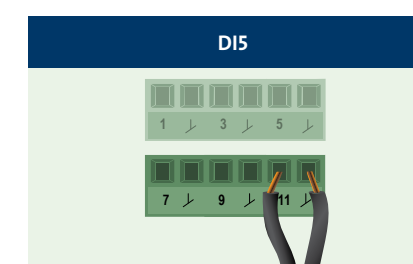
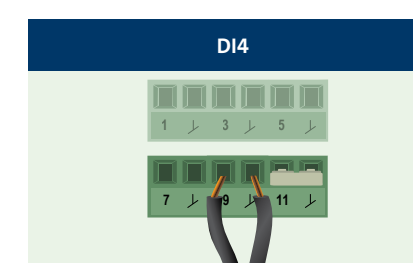
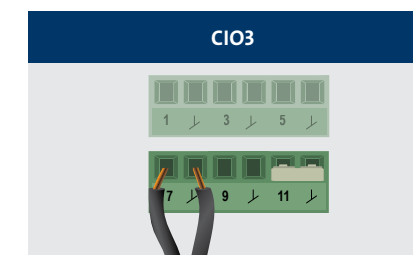
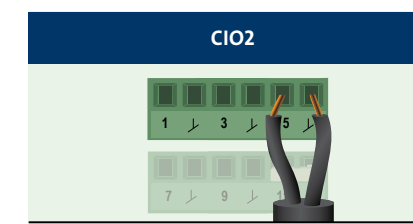
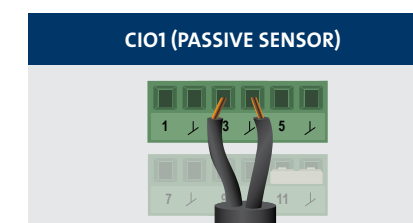
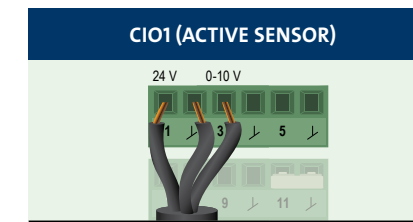
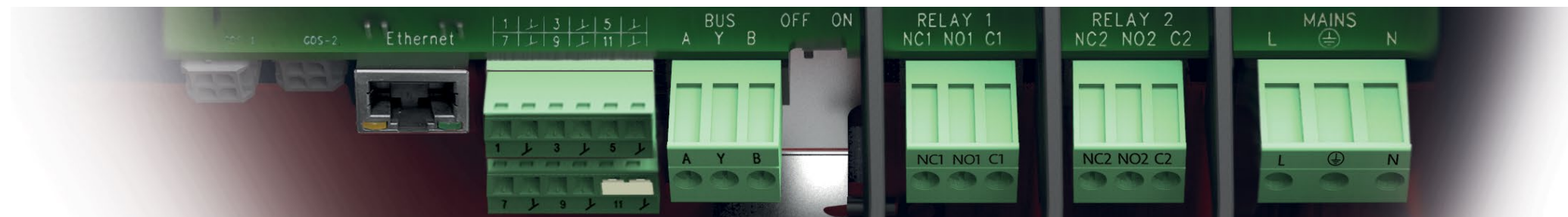
CHOOSE COMMUNICATION

START SELECTION



www.grundfos-eica.com

TERMINAL	TYPE	FUNCTION	FLOOR HEATING	RADIATOR HEATING (FANCOIL AND RADIANT HEATING)	HEATING COIL	COOLING	COMBINED HEATING/COOLING	
	RJ45	Ethernet	BuildingConnect Modbus TCP BACnet IP					
	1	+24 Volt	Supply					Supply for active sensor
	↓	GND	Ground					
	3	CIO1	Configurable I/O					Outdoor temperature sensor / External setpoint
	↓	GND	Ground					
	5	CIO2	Configurable I/O		Daisy chain		External temperature sensor / Daisy chain	
	7	CIO3	Configurable I/O					Supply source setpoint
	↓	GND	Ground					
	9	DI4	Digital I/O	External overheat indicator	External setpoint reduce	External frost indicator	Switch over	
	↓	GND	Ground					
	11	DI5	Digital I/O	External start/stop				
	A	Bus A (+)	BUS					
	Y	Bus, GND	Genibus/ Fieldbus BACnet MS/TP, Modbus RTU					
	B	Bus B (-)						
	NC1	Normally closed contact	RELAY 1					
	NO1	Normally open contact	Signal relay 1		Fault signal			
	C1	Common						
	NC2	Normally closed contact	RELAY 2					
	NO2	Normally open contact	Signal relay 2		Run signal			
	C2	Common						
	L	Line	MAINS					
	⊕	Earth	Mains supply					
	N	Neutral						





FLOOR HEATING



RADIATOR HEATING (FANCOIL AND RADIANT HEATING)



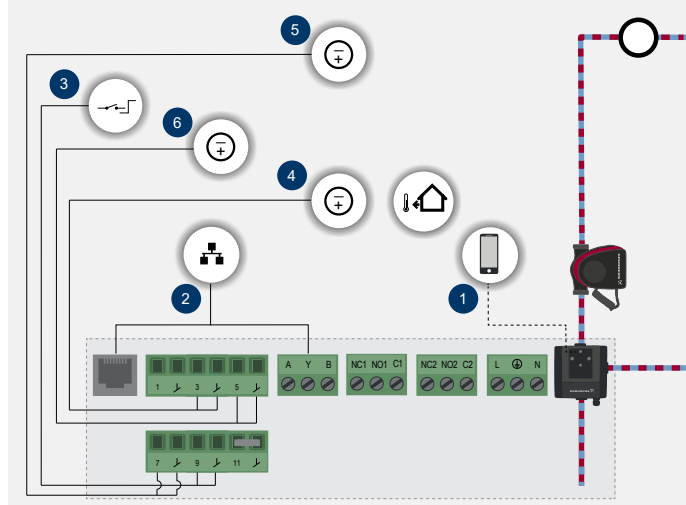
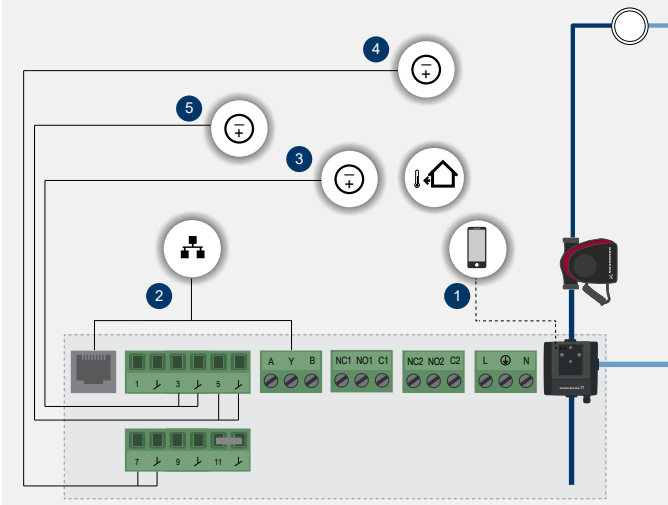
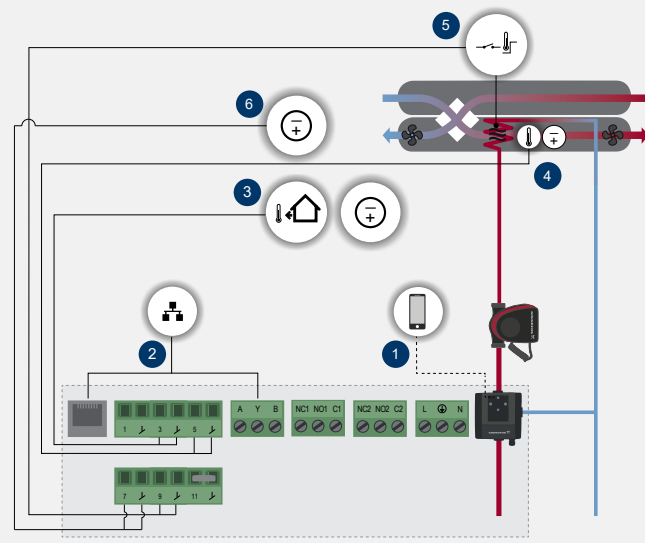
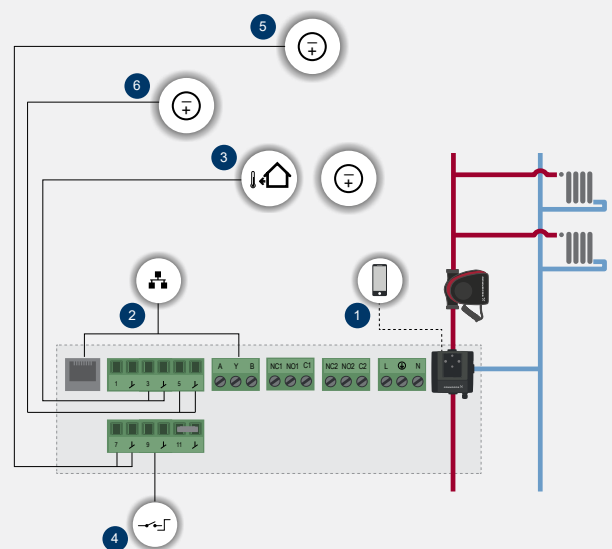
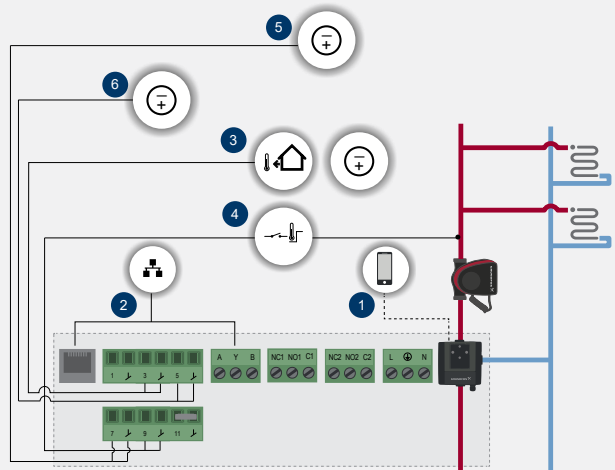
HEATING COIL



COOLING



COMBINED HEATING/COOLING



1. Bluetooth connection to smartphone via Grundfos GO Remote

2. Integration into BMS system

3. Outdoor temperature sensor (here shown as Pt 1000) or external setpoint

4. Temperature protection switch (extra thermal protection)

5. Supply source set point

6. Daisy chain

1. Bluetooth connection to smartphone via Grundfos GO Remote

2. Integration into BMS system

3. Outdoor temperature sensor (here shown as Pt 1000) or external setpoint

4. External setpoint reduce (5 °C)

5. Supply source set point

6. Daisy chain

1. Bluetooth connection to smartphone via Grundfos GO Remote

2. Integration into BMS system

3. Outdoor temperature sensor (here shown as Pt 1000) or external setpoint

4. External temperature sensor or Daisy chain

5. Antifreeze sensor (extra protection against freezing)

6. Supply source set point

1. Bluetooth connection to smartphone via Grundfos GO Remote

2. Integration into BMS system

3. Outdoor temperature sensor (here shown as Pt 1000) or external setpoint

4. Supply source set point

5. External temperature sensor or Daisy chain

1. Bluetooth connection to smartphone via Grundfos GO Remote

2. Integration into BMS system

3. Switch between heating and cooling mode

4. Outdoor temperature sensor (here shown as Pt 1000) or external setpoint

5. Supply source set point

6. External temperature sensor or Daisy chain